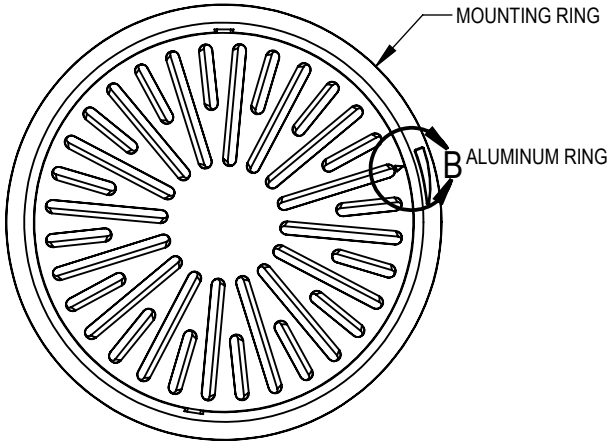
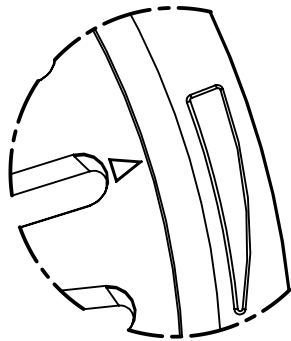
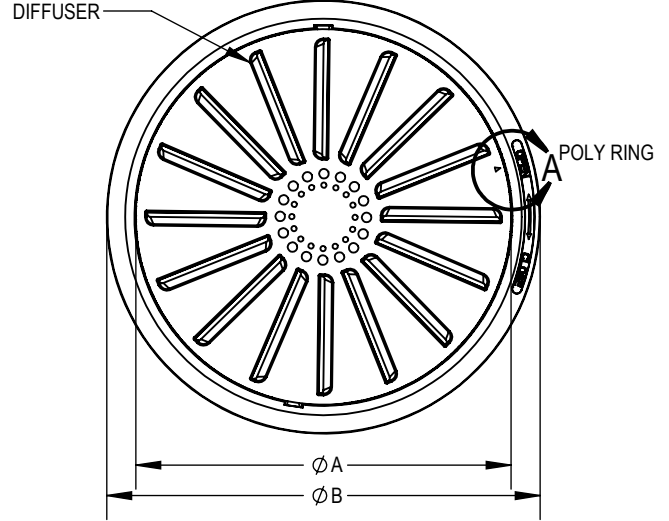


MFD - MODULAR FLOOR DIFFUSER

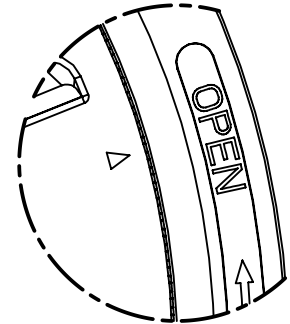
TP - TWIST PATTERN



DP - DISPLACEMENT PATTERN



DETAIL B
ALUMINUM RING



DETAIL A
POLY RING

DIFFUSER & MOUNTING RING DIMENSIONS

SIZE	DIFFUSER FACE		MOUNTING RING		FLOOR TILE PRECISION OPENING
	ϕA		ϕB		ϕC (Page 2)
	ALUM	POLY	ALUM	POLY	ALUM & POLY
8R	7.90 (201)	7.82 (199)	9.08 (231)	9.03 (229)	8.50 +/- 0.125/0.00 (216 +/- 3/0)
10R	9.90 (251)	N/A	11.08 (282)	N/A	10.50 +/- 0.125/0.00 (267 +/- 3/0)

NOTES:

- COMPONENTS SHIPPED ASSEMBLED
- NFPA 90B COMPLIANT
- TABS ON MOUNTING RING SECURE DIFFUSE FACE
- POLYMER IS FIRE RATED (UL 94/2043)
- CE COMPLIANT

DIFFUSER STYLE:

- TP - TWIST PATTERN
- DP - DISPLACEMENT PATTERN

FASTENING OPTION:

- RING PRESS-FIT (RPF) GASKET (STANDARD)
- ZIP-CLIP (ZC) w/ RPF (SET OF 3)

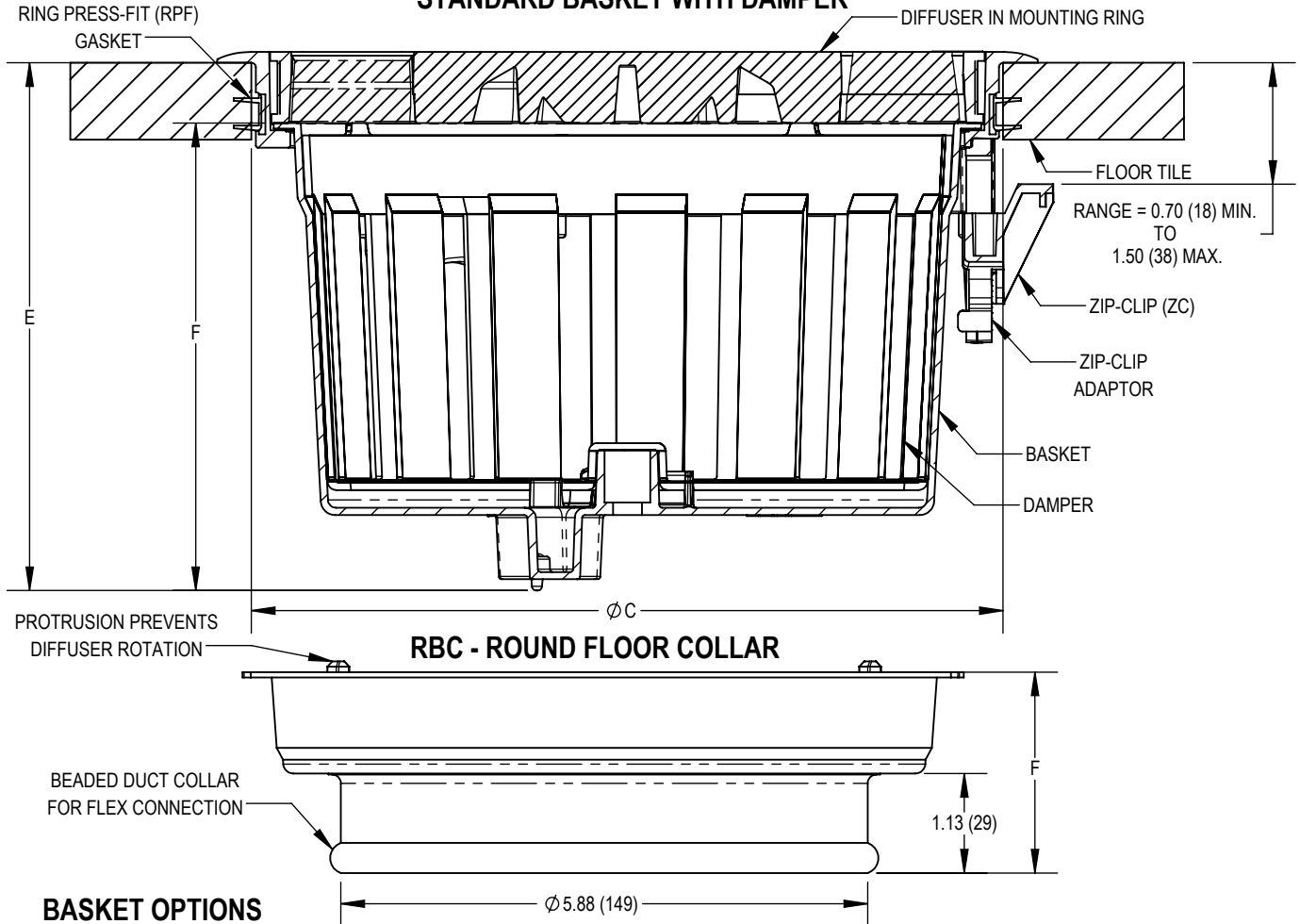
DIFFUSER MATERIAL AND FINISH OPTIONS:

- ALUM - ALUMINUM CONSTRUCTION (8" OR 10")
 - FA - FINISHED ALUMINUM
 - GRY-AL = GREY POWDER COAT
 - BLK-AL = BLACK POWDER COAT
 - MB-AL = MEDIUM BRONZE POWDER COAT
 - LB-AL = LIGHT BRONZE POWDER COAT
 - SPL = SPECIAL FINISH
- POLY - POLY CONSTRUCTION (8" ONLY)
 - DG = DUSTY GREY
 - BLK = BLACK
 - SPL = SPECIAL FINISH

ALL METRIC DIMENSIONS [] ARE SOFT CONVERTED. IMPERIAL DIMENSIONS ARE CONVERTED TO METRIC AND ROUNDED TO THE NEAREST MILLIMETER.

PROJECT:		price	
ENGINEER:		APPROVED BY: PS	MFD MODULAR FLOOR DIFFUSER
CUSTOMER:		DRAWING NO: 267746	
SUBMITTAL DATE:	SPEC. SYMBOL:	DATE DRAWN: 04/16/2024	

**MFD - MODULAR FLOOR DIFFUSER
STANDARD BASKET WITH DAMPER**



BASKET OPTIONS

STYLE	E	F	DESCRIPTION
<input type="checkbox"/> DBA	5.85 (149)	5.25 (133)	STANDARD BASKET WITH FACE ADJUSTABLE DAMPER
<input type="checkbox"/> DB	5.85 (1.49)	5.25 (133)	STANDARD BASKET WITH DAMPER
<input type="checkbox"/> B	5.85 (1.49)	5.25 (133)	STANDARD BASKET
<input type="checkbox"/> DBV	7.20 (183)	6.50 (165)	VAV BASKET (SUBMITTAL 243333)
<input type="checkbox"/> DBV-HP*	7.20 (183)	6.50 (165)	VAV BASKET - HIGH PERFORMANCE (SUBMITTAL 243333)
<input type="checkbox"/> DBAS*	2.75 (70)	2.00 (51)	SHORT BASKET WITH FACE ADJUSTABLE DAMPER
<input type="checkbox"/> DBS*	2.75 (70)	2.00 (51)	SHORT BASKET WITH DAMPER
<input type="checkbox"/> BS*	2.75 (70)	2.00 (51)	SHORT BASKET
<input type="checkbox"/> RBC*	3.00 (76)	2.25 (57)	ROUND FLOOR COLLAR (FOR DUCTED APPLICATION ONLY)
<input type="checkbox"/> BOP*	2.30 (58)	1.65 (42)	BLANK-OFF PLATE
<input type="checkbox"/> NONE	N/A	N/A	DIFFUSER & MOUNTING RING ONLY

*DBV-HP, DBAS, DBS, BS, RBC, BOP STYLE ONLY AVAILABLE WITH 8" DIFFUSERS
*DBAS, DBS, BS STYLE INCLUDE SLOTS ON SIDE AND BOTTOM

NOTES:

- COMPONENTS SHIPPED ASSEMBLED
- BASKET MATERIAL - BLACK FIRE RATED (UL 94/2043) POLYMER
- INTERNAL ADJUSTABLE MINIMUM AIRFLOW STOP (0-50%) (DB, DBA, DBS, DBAS ONLY)

ALL METRIC DIMENSIONS [] ARE SOFT CONVERTED. IMPERIAL DIMENSIONS ARE CONVERTED TO METRIC AND ROUNDED TO THE NEAREST MILLIMETER.



Intertek

PROJECT:			
ENGINEER:			
CUSTOMER:		DRAWING NO: 267746	MODULAR FLOOR DIFFUSER
SUBMITTAL DATE:	SPEC. SYMBOL:	DATE DRAWN: 04/16/2024	